

RELIABLE COST-EFFECTIVE DROP-IN SOLUTIONS!

40 years supplying panel meters, controllers and transducers to the world's leading energy companies, utilities and water treatment facilities.

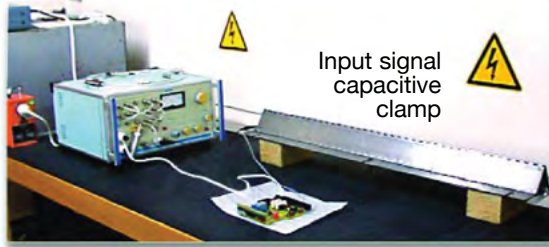
REFURBISHING MONITORING & CONTROL ROOMS



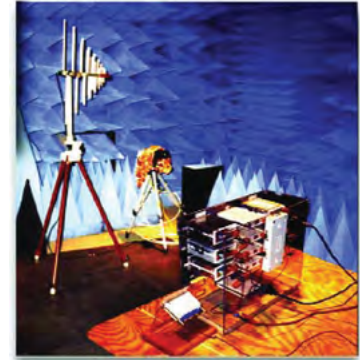
Quality by Design, Proven by Testing, Testing and Even More Testing



ESD Testing
±2KV,4KV,8KV & 25KV



NOISEKEN Burst Testing, Direct and Coupled.
Selectable pulse width from 50nS to 1.2µS at 0 to 100Hz with sub nano sec rise time.



Anechoic Chamber Testing
RF Immunity from 80MHz to 1GHz at field strengths greater than 10V per meter



Laboratory TEM Cell for testing RF Immunity and Emissions
RF inputs from 50 to 500 MHz at field strengths up to 300V/m.
Completely shielded from external noise, precision RF emissions can be measured, from 30 MHz to 1 GHz at 10 to 500 dB-microvolts.



Open Air EMI Emission Testing to CSPP 22



Extreme Temperature Cycling
Temperature testing from -40°C to +70°C in 14 seconds

Magnetic Field Immunity Testing
All 3 axes at field strengths of 30 Amp/m .



Life Testing at elevated temperatures

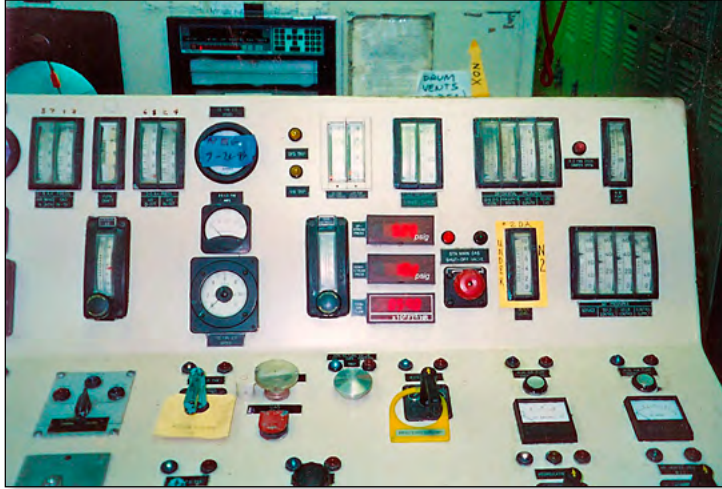


Precision Case Tooling



Impact/Drop Testing

4" Edgewise



Custom Solutions

Texmate can design custom adaptors, faceplates and programs for a wide range of bargraphs and meters.

Texmate Panel Cutout Meter Trimplates



Part # 75-DTP96X24
1/16 DIN (96 x 24 mm)

Part # 75-DTP2X9624
1/8 DIN (96 x 48 mm) or NEMA case

Part # 75-DTP3X9624
3 x 1/16 DIN (96 x 72 mm)

4 00°

6" Edgewise



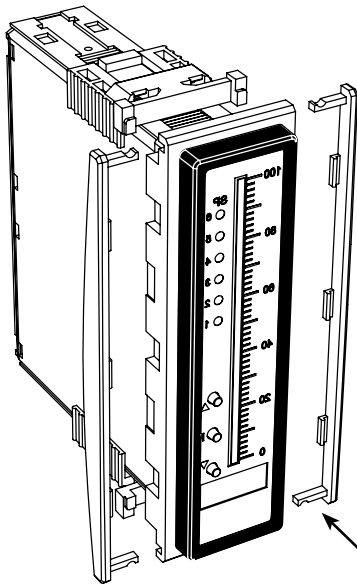
Texmate 6" Edgewise to 9/64 DIN 144x36mm Panel Adapters



6" Edgewise

Fits 6" Edgewise Pointer Meter Cut-Outs

The adapter snaps on the 36x144 mm (1.42"x5.69") case and enables single unit or stack mounting in an existing 6" edgewise pointer meter cut-out.



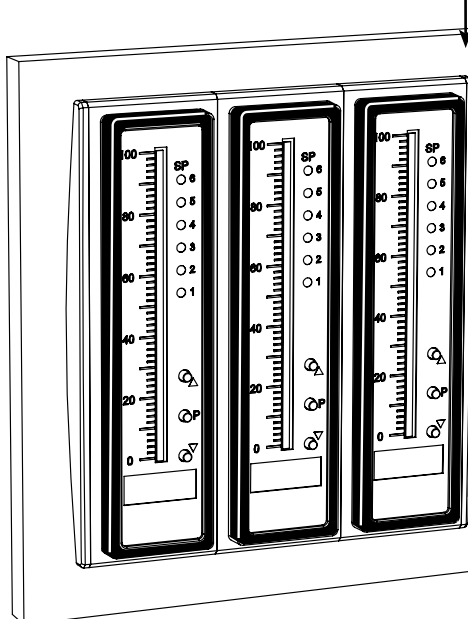
Panel Adapter
Part# OP-PA/144x36

Fits Existing Cut-outs for

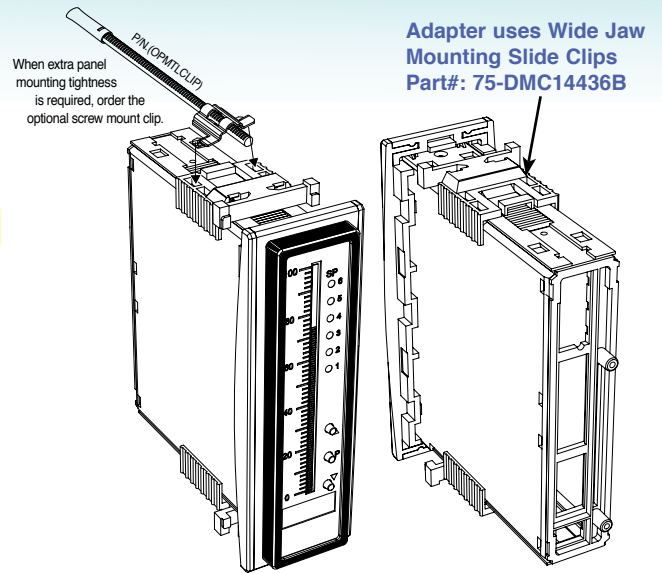
- Crompton
- G.E.
- Westinghouse
- Yokogawa
- and most other

Two bezel trim strips are provided with each adapter to finish off the edge of each individually mounted meter or the edge of each stack mounted array.

These trim strips match the appearance of the trim strips used with most 6" mechanical meters.



Texmate's panel adapter enables modern DIN meters to fit in existing cutouts individually or stacked when replacing old 6" edgewise mechanical pointer meters.



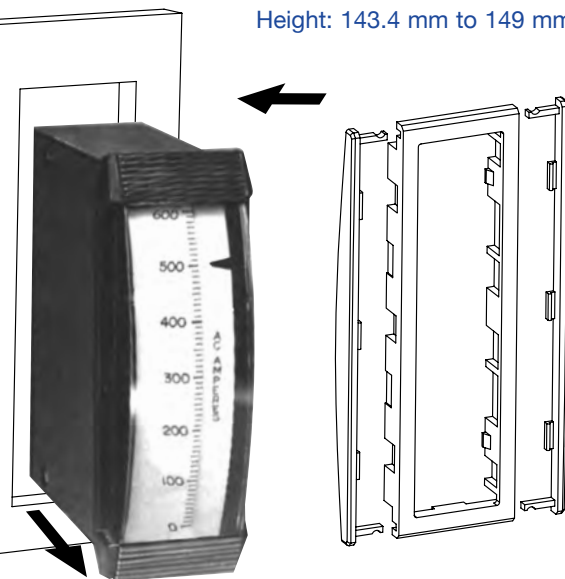
FL-B101Q bargraphs are available with the bar either to the left or right side to match mechanical meters that have left or right sided pointers.



6" (150 mm) Edgewise switchboard pointer meters

Width: 43.7 mm to 48 mm (1.72" to 1.89")

Height: 143.4 mm to 149 mm (5.62" to 5.88")



4 1/2" Switchboard



DV Series
AC/DC Dual View
Analog Switchboard meter
with Digital display

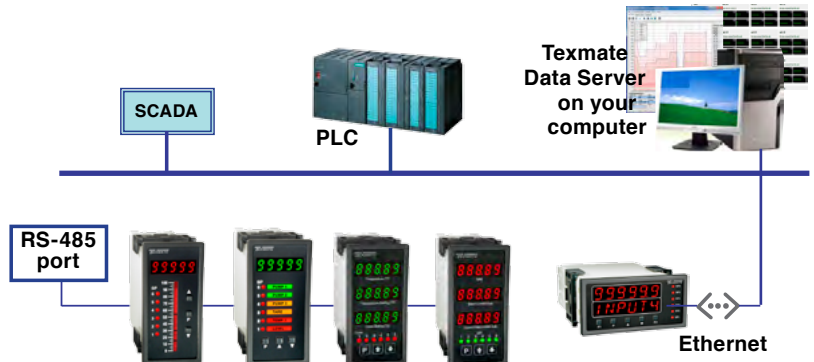


CPW-503
3 phase 3 or 4 wire
Power Meter with
RS-485 communication

Texmate Programmable Meter Controllers with Switchboard Panel Adapters



DI-50E/TB51



DI-602AE/T



AM-30



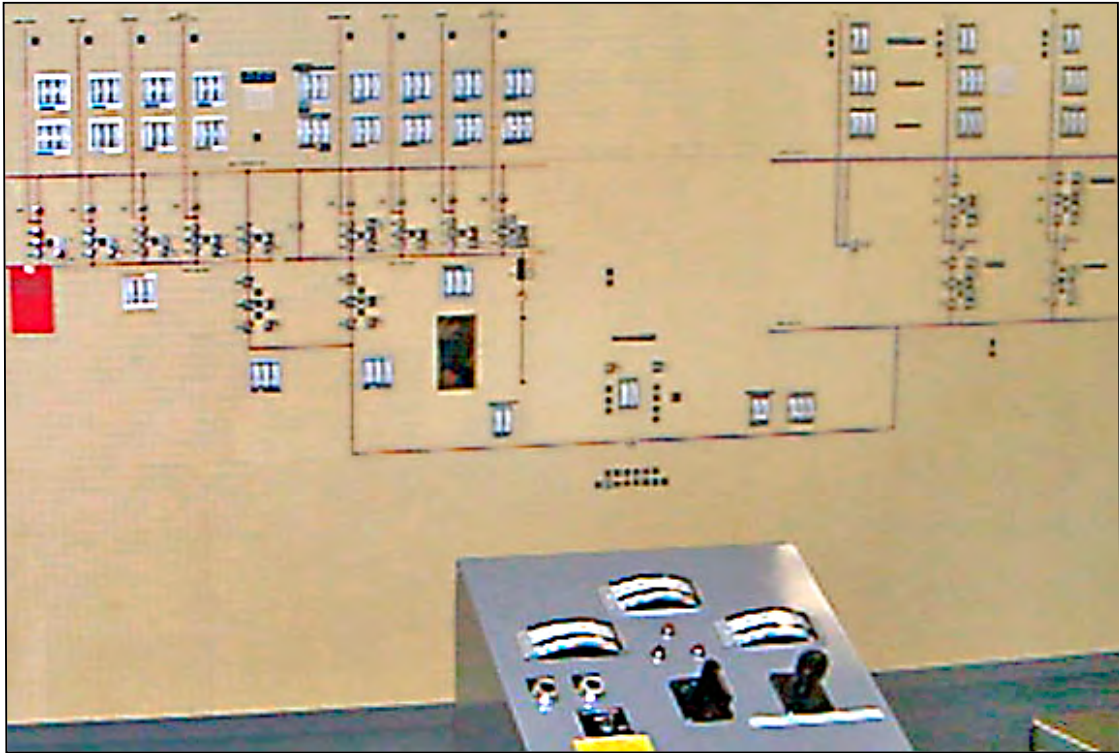
BX-35
BL-40



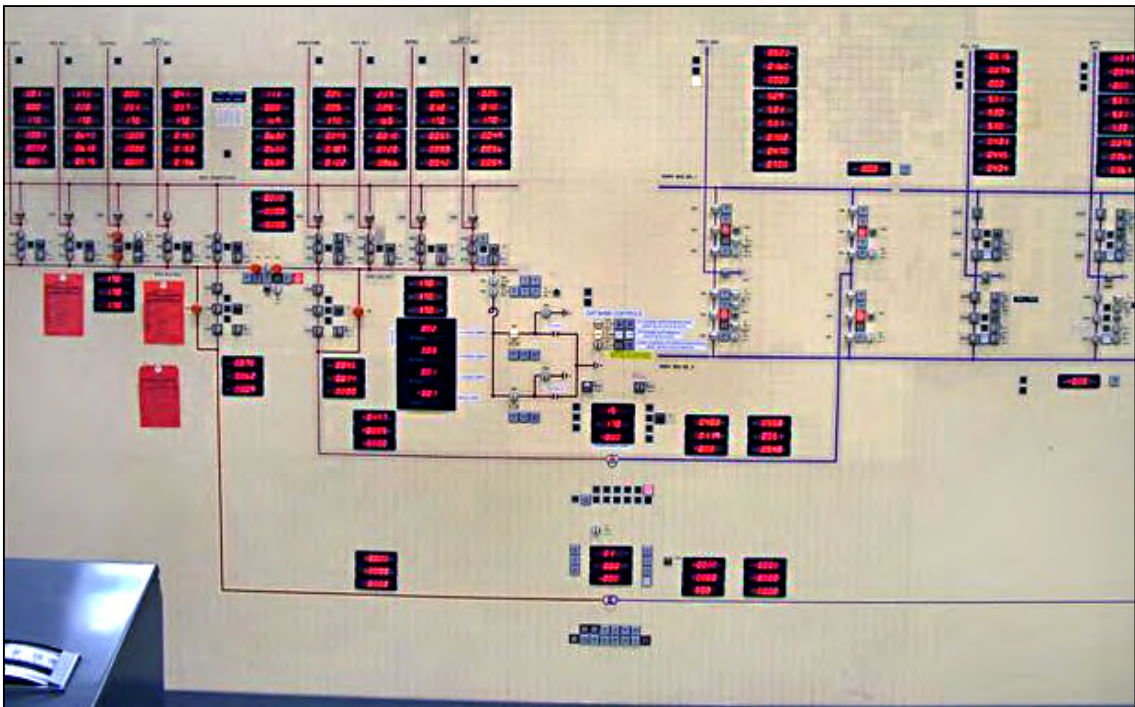
DI-503E/T
AM-30

Edgewise to Digital Panel Meters

Volunteer Substation Before

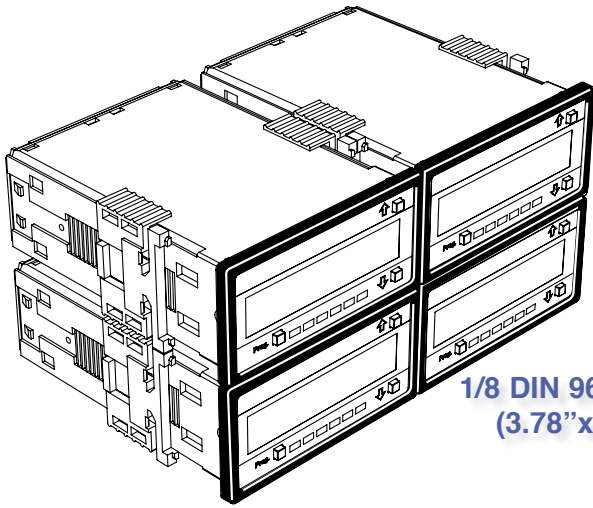


Volunteer Substation After



Mosaic

Stackable Cases



1/8 DIN 96x48 mm
(3.78"x1.89")

1/16 DIN 96x24 mm
(3.78"x0.95)



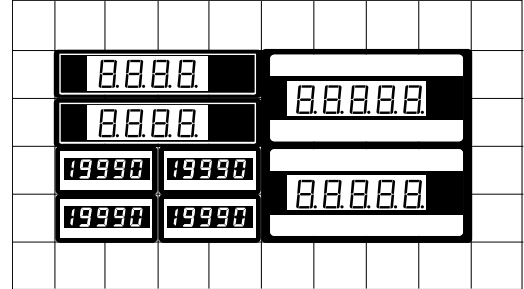
For Extra Strength -
Use optional double
mounting clips and
mounting Screw



1/32 DIN 48x24 mm
(1.89"x0.95")

Mosaic and Stacked Array

Texmate's International DIN cases are particularly suited for mounting individually or in stacked arrays in mosaic panels or thick insulative panels.



1/8 DIN 96x48 mm (3.78"x1.89") Stack Mounting Case

96x48 mm case can mount in thin panels or panels up to 50 mm (2.0") thick. They can also stack mount, 2 up in existing cutouts for 1/4 DIN (96x96 mm) or 4 up in 1/2 DIN (96x192 mm).

For additional strength, extra Mounting Slide Clips can be ordered & doubled up one behind the other. (P/N: 75-DMTCLIPF).

When extra panel mounting tightness is required, optional Screw Mounting Clips are included which fit on the Mounting Slide Clips. (P/N: OP-MTLCLIP).

1/16 DIN 96x24 mm (3.78"x0.95") Stack Mounting Case

Texmate's 96x24 mm case can mount in panels up to 75 mm (2.94") thick. They can also stack mount, 2 up in existing cut-outs for 1/8 DIN (96x48 mm) or 4 up in 1/4 DIN (96x96 mm).

For additional strength, extra Mounting Slide Clips can be ordered & doubled up one behind the other. (P/N: 75-DMT96X24).

When extra panel mounting tightness is required, optional Screw Mounting Clips are included which fit on the Mounting Slide Clips. (P/N: OP-MTLCLIP).

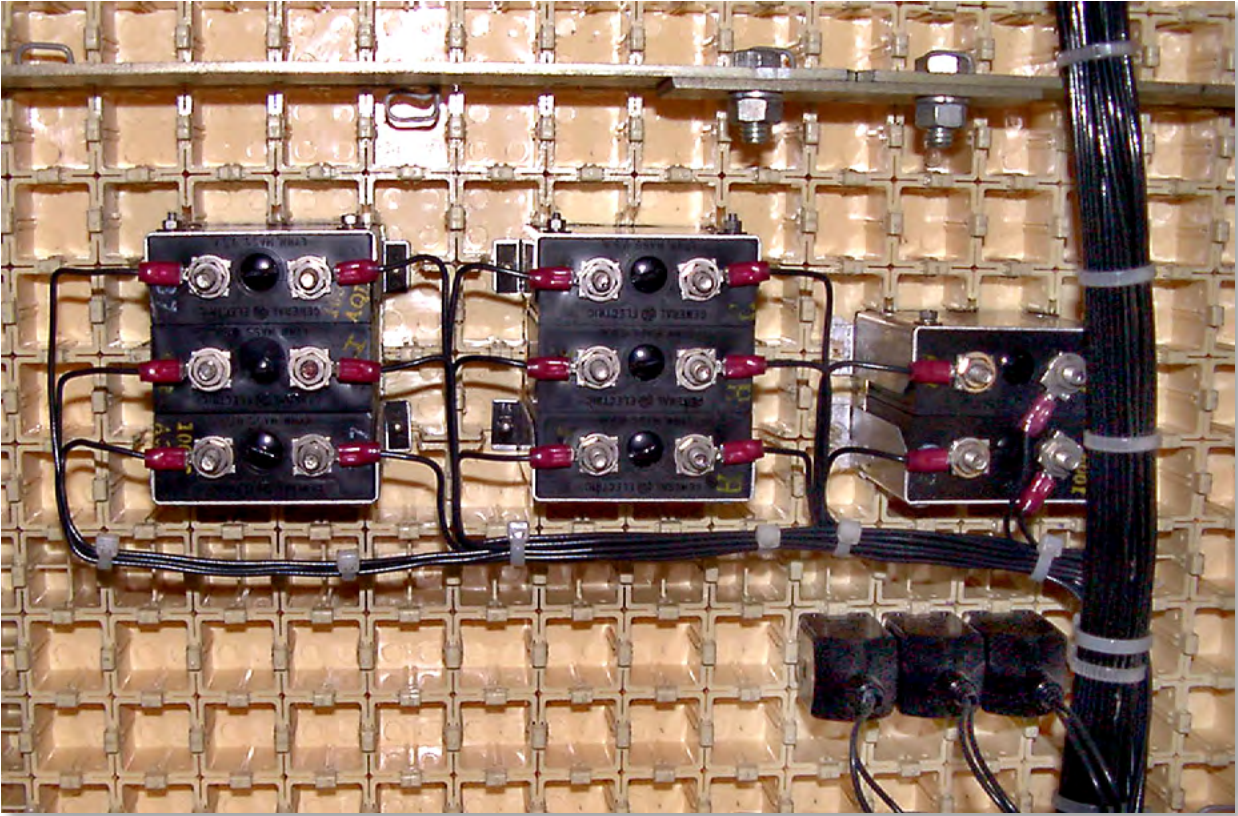
1/32 DIN 48x24 mm (1.89"x0.95") Stack Mounting Case

Texmate's 48x24 mm case mount in panels or insulative panels up to 47.6 mm (1.88") thick. They can also stack mount, 2 up in existing cut-outs for 1/6 DIN (96x24 mm) or 4 up in 1/8 DIN (96x48 mm).

For additional strength, extra Mounting Slide Clips can be ordered & doubled up one behind the other. (P/N: 75-MUMTBKRT).

Mosaic

Texmate Panel Adapters

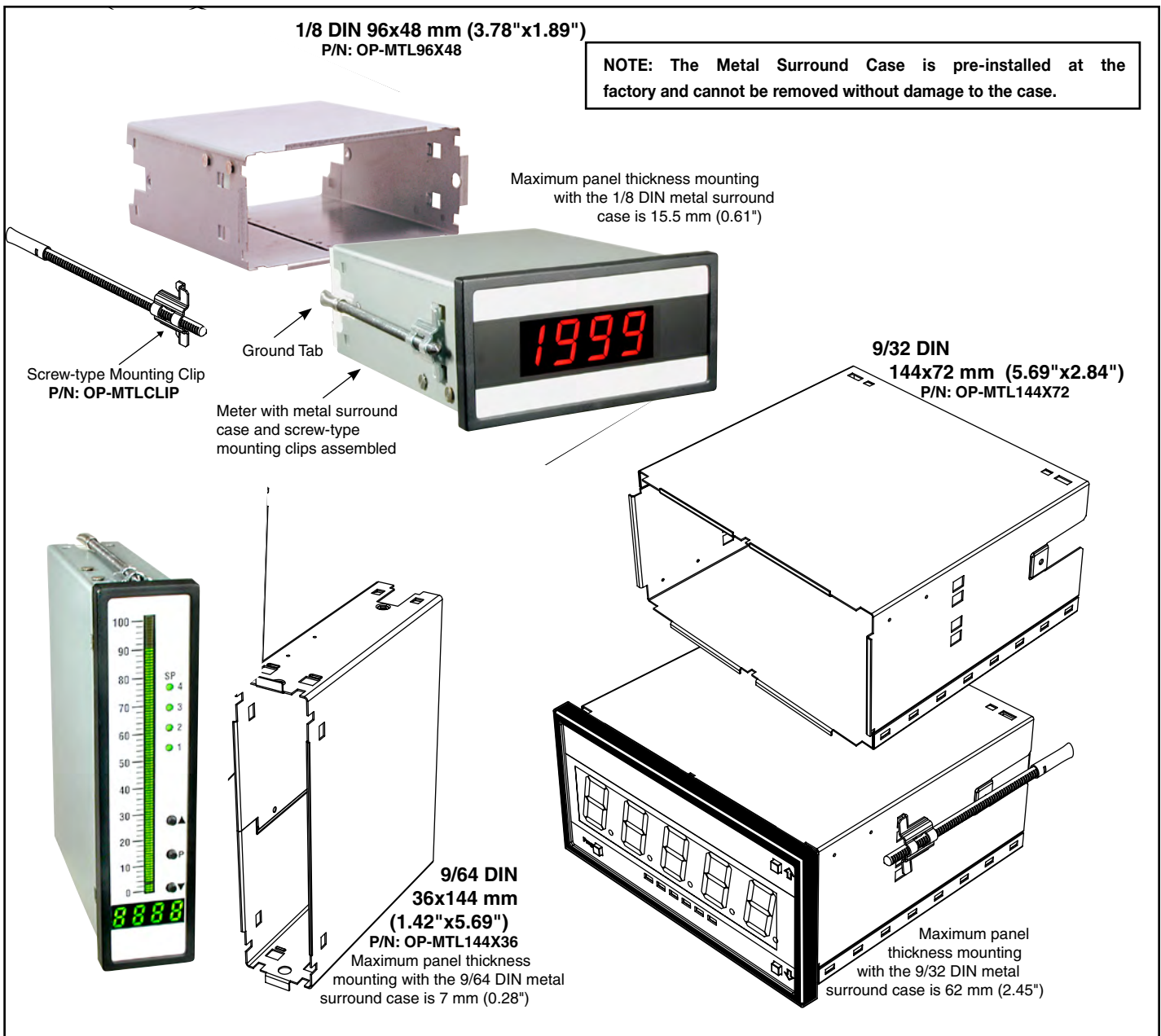


Metal Surround Cases

Texmate's meter cases are made from approved, self extinguishing, high strength, injection molded polycarbonate. For critical panel applications a metal surround case can be ordered which enhances the meter's fire resistance capabilities. Instrument panel fires are typically exacerbated by flaming debris landing on a self extinguishing plastic case igniting it and maintaining combustion of the products housed above. Texmate's metal surround case option effectively cancels this chain reaction. The metal surround case can also help to provide shielding against electromagnetic interference (EMI)

from entering or exiting an enclosure in which the meter is mounted. The metal case slides over the polycarbonate case and is held firmly in place by spring-type non-return clips. Once the metal case has been fitted to the polycarbonate case it cannot be removed.

With the metal case in place, the meter's plastic ratchet-type mounting clips can no longer be used. Instead a pair of DIN screw-type mounting clips are inserted into holes on the side of the metal case and used to mount the meter in the panel. A ground tab on the metal case is riveted through the case wall for external grounding.



NEMA 4X Lockable Splash Proof Cover

Clear NEMA 4X Covers fit any 1/8 DIN or 9/64 DIN meter.

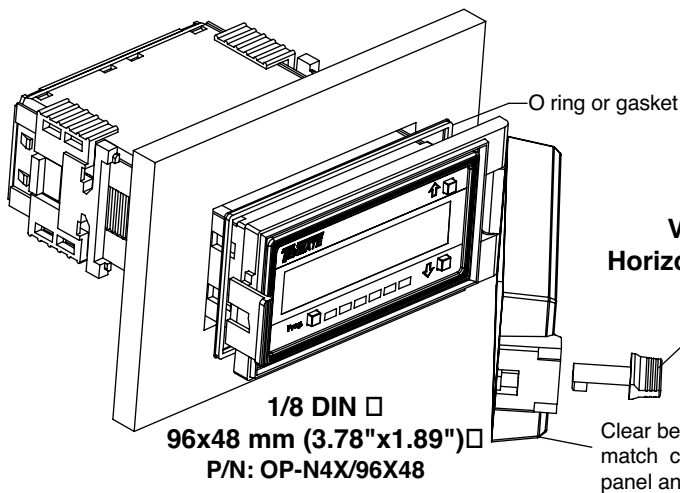
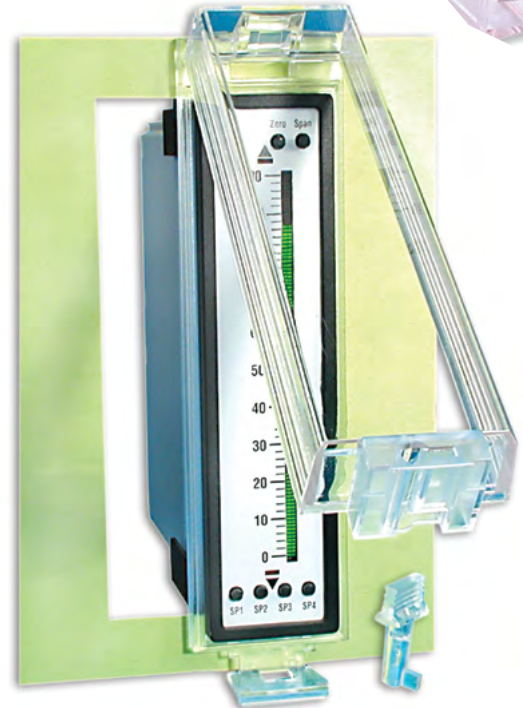
This rugged, impact resistant, clear lens cover is designed to be dust and water proof to NEMA 4 and IP65 standards. The lens cover consists of a base and cover with a cam hinge and key-lock locking device.

An O-ring, or neoprene gasket forms a seal between the base and the panel. When opened, a cam hinge prevents the cover from closing until pushed closed.

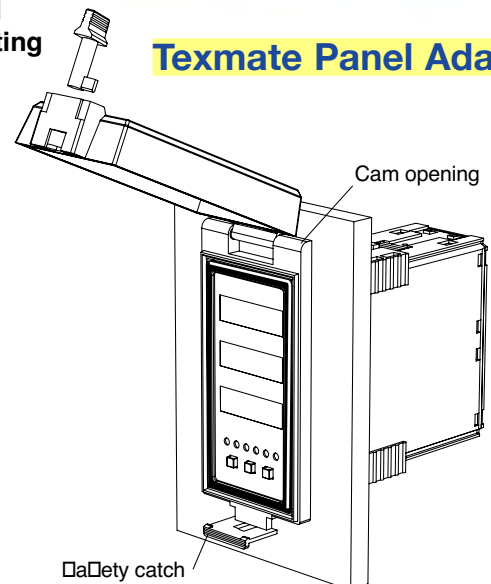
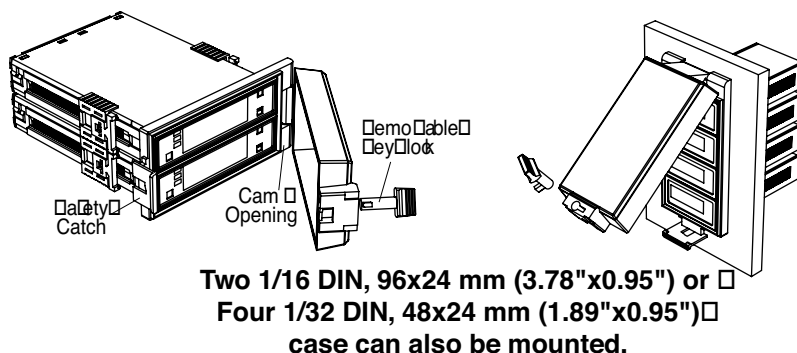
The cover has a tapered recess that, when closed, forms a capillary seal with a tapered ridge on the base. A capillary seal is created when capillary action causes a small amount of water to be drawn in between the two surfaces producing a water tight film around the sealing area.

For those applications, such as food processing, where fluid residues are unacceptable, apply a light coating of clear silicone grease, or other approved sealant to the mating groove to prevent any ingress of liquid and enable the cover to withstand steam cleaning.

Turning the key-lock tightens the cover to the base, ensuring seal integrity. A safety catch keeps the cover closed even when the key is turned to the open position and removed. The keyhole can also be used to attach a safety seal clip, preventing unauthorized opening.

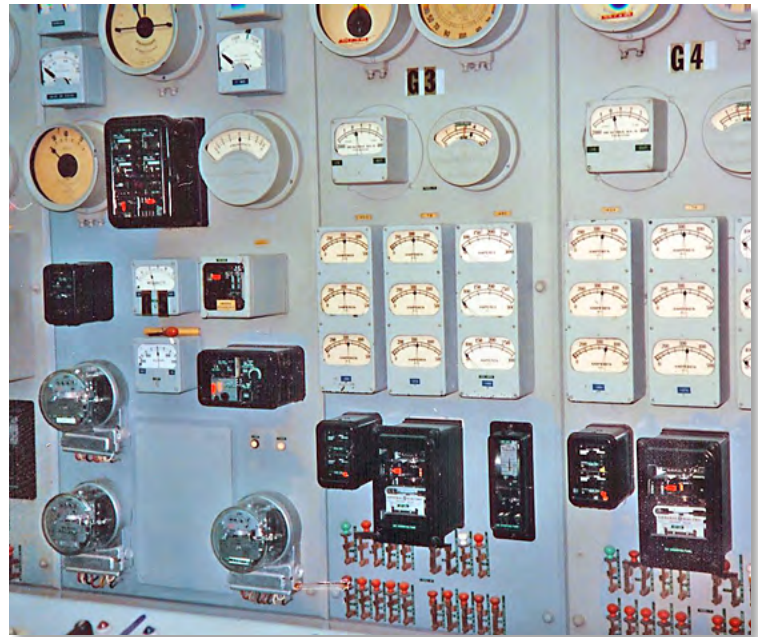


Texmate Panel Adapters



Power & Watthour Meters

**GE DSW-63 can be replaced with
TEXMATE's ST-110/XM-110.**



Drop-in Form, Fit & Extra Functions



**Hot Circuit
Removable**

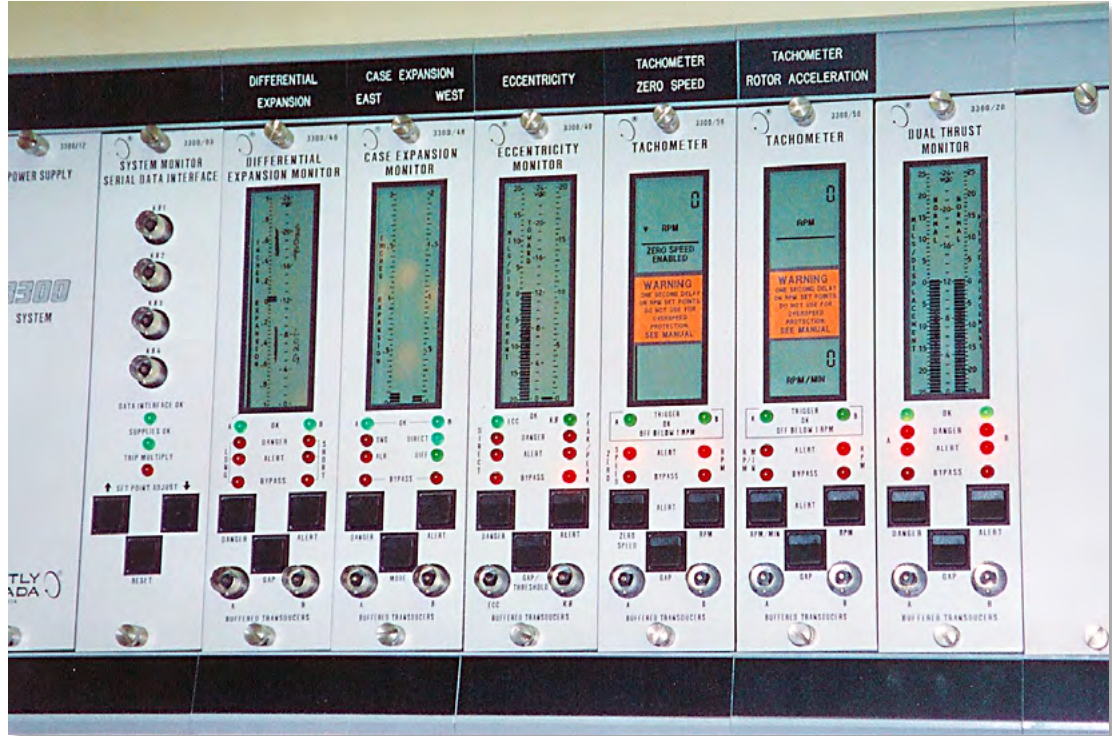


**Fail-proof make-before
break connector
protects CTs**

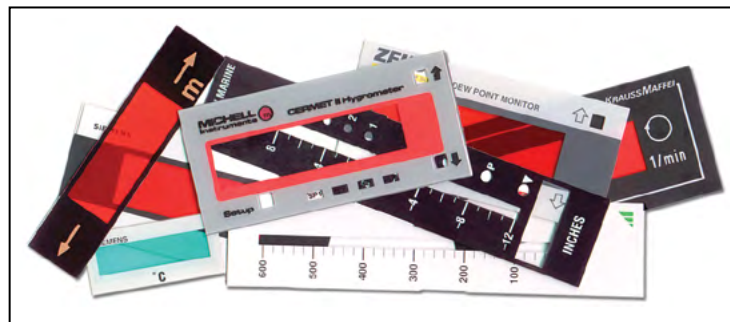


**Can hook up
to existing
wire harnesses**

Custom OEM Face Plates



Texmate Produces Thousands of Custom OEM Face Plates. Have texmate design and build a custom face plate to suit your next project!



Custom Face Plates and Custom Scales

Transducers

Power Transducers

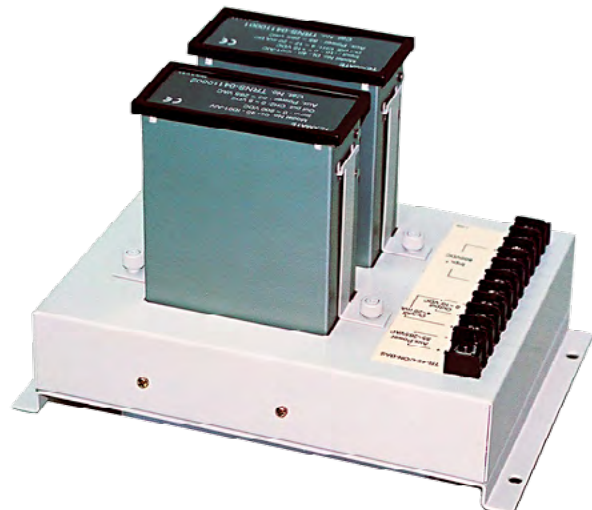
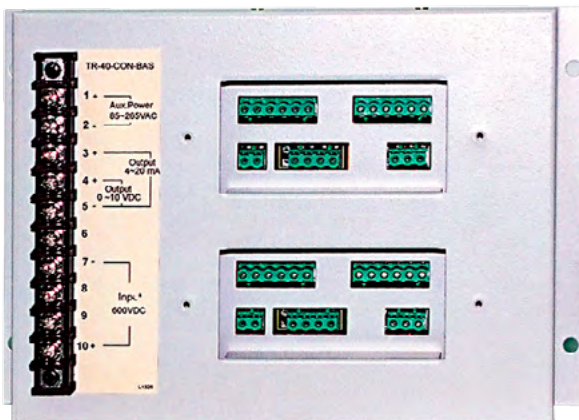


ABS DIN Rail Mount Case

Screw Mount Metal Case



Hot plugable TEXMATE Transducers provide an easy Drop-in pin for pin replacement with optional digital displays



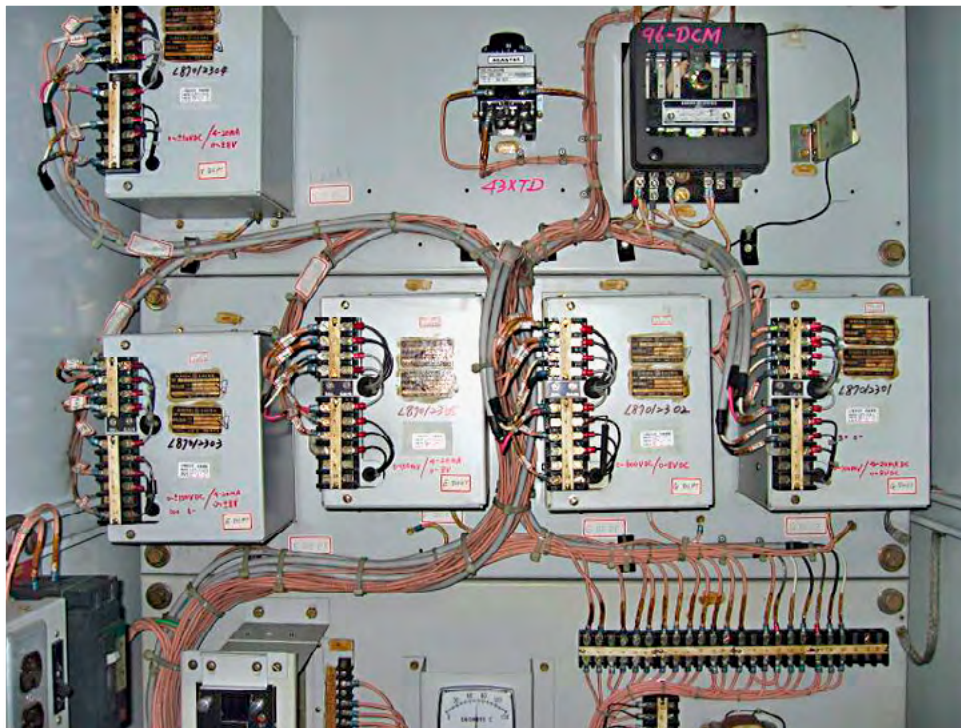
Transducers

Hundreds of successful installations

Generator Cabinet Before



- Difficult to calibrate or replace
- requires plant shut down.
- No direct GE replacement



Generator Cabinet After



- **TEXMATE's** easy pin for pin replacement transducers can be Hot-Swapped for calibration or replacement.
- No shut-down required.
- Many extra features available including serial communications, alarms & data logging

